

# Technical Specification

## 1. Commodity: Elegant style Rack Mount Enclosure

### Material:

Spcc Cold Rolled Steel

### Feature:

- 1.Frame structure, easy to assemble and knock down
- 2.Standard cabinet equipped with adjustable 19 inches mounting posts
- 3.Removable side doors and tempered glass front door, safe and convenient with lock
- 4.Cable entry on both of the top cover and bottom plate
- 5.Fan hole available on the top cover
- 6.Cabinet can be fastened directly and conveniently onto the wall just with screws
- 7.Height from 4U-21U,width 530mm ,depth 450mm and 600mm,they are optional
- 8.Flat package,easy to carry and saving space

Loading Capacity:

Static loading : HB5170 6U,60kg

HB5174 12U,65kg



### Configuration

Each cabinet is supplied with
Frame
Four doors: front door(inlay tempered glass), rear door, and side doors
Two pairs of adjustable 19" mounting posts
Top and bottom cover
Four set locks
Mounting hardware included

### Technical Data

Part	Material	Surface finishing
Frame	1.2mm thick steel	Textured powder paint
Mounting post	1.5mm thick steel	Textured powder paint
Others	1mm thick steel	Textured powder paint

### Color chart

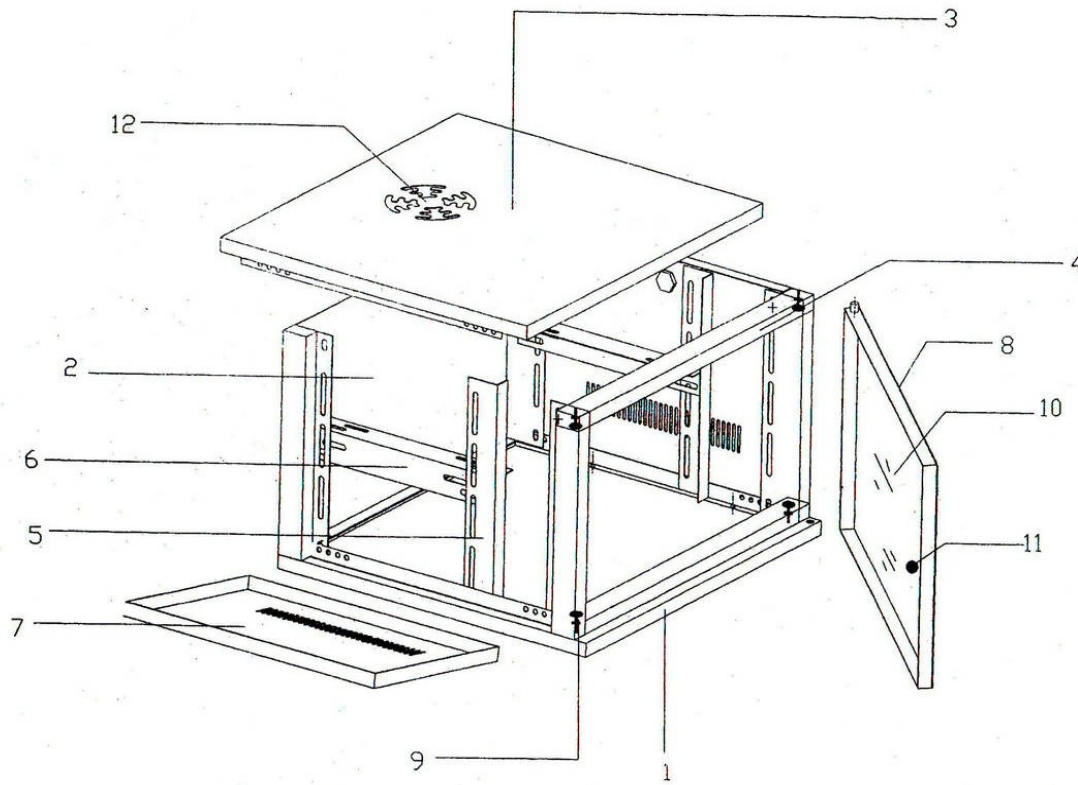
Description	Description
Black	Grey

### Specification Chart (mm)

Capacity	Cabinet size(width*depth*height)
6U	530*450*360
12U	530*450*626

### Drawing

Cabinet parts



1. Base
2. Back frame
3. Top cover
4. Front frame
5. Linked shelving
6. Horizontal linked shelving
7. Beside board
8. Front board
9. Bolt
10. Glass
11. Key
12. Fan

