

CONCORD



CEX1W20B4K-A

HDMI Audio Extractor User Manual

Box Contents:

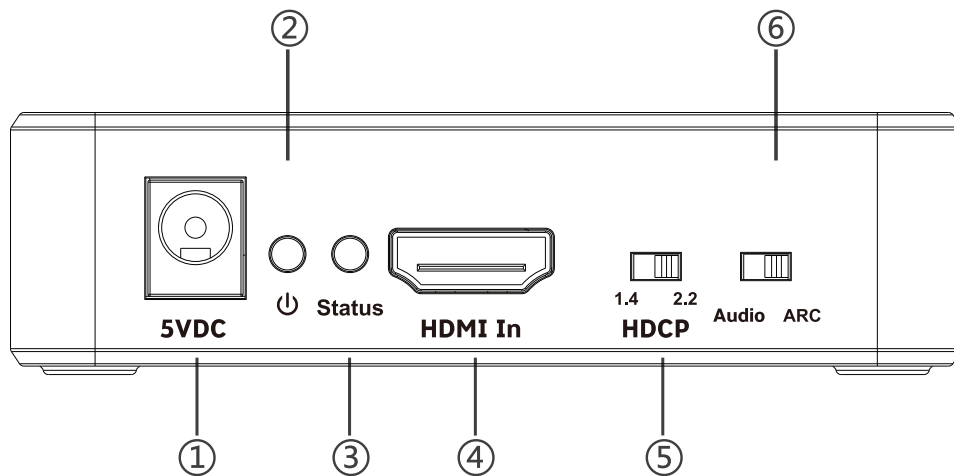


1 x HDMI Audio Extractor

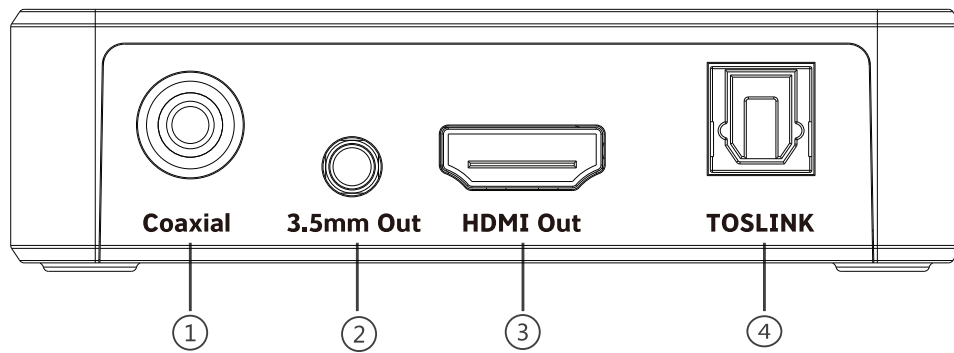


1 x Mains Power Adaptor

Product Diagram:



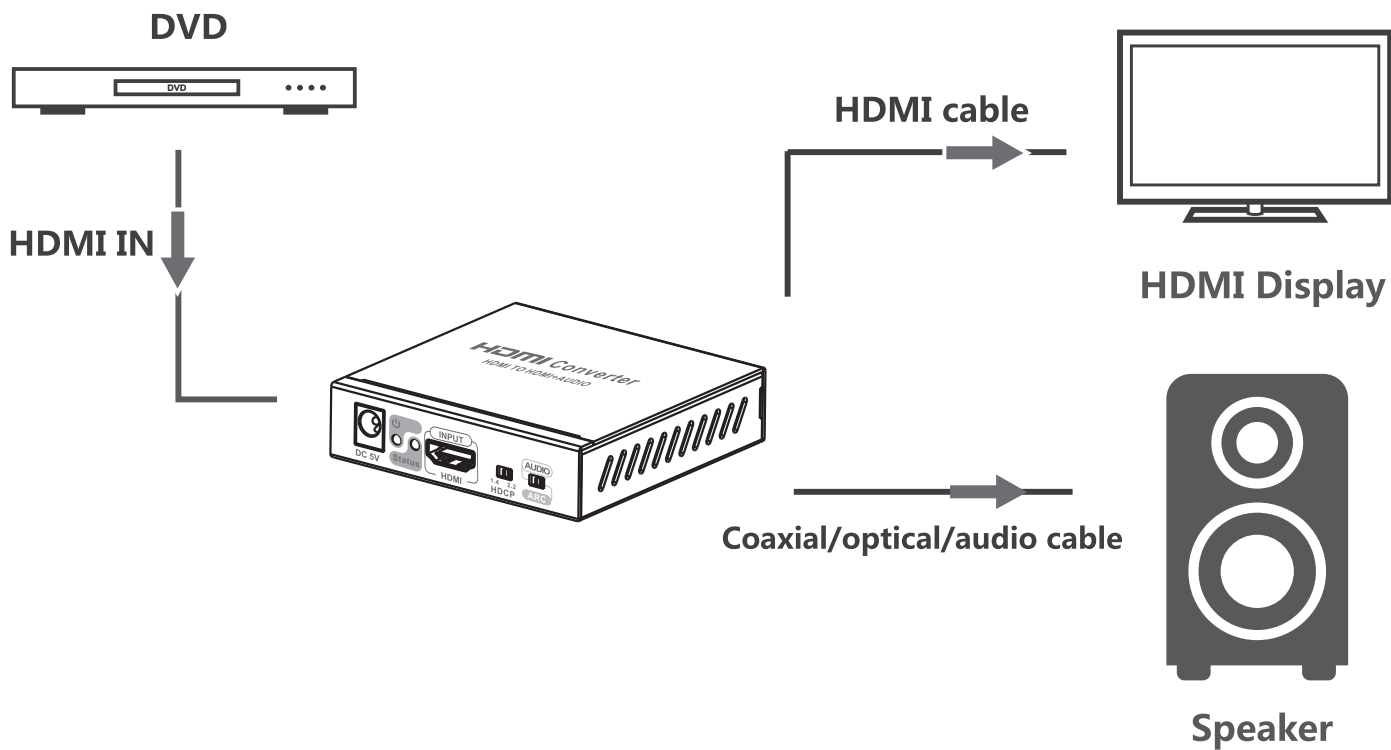
#	Item	Description
1	DC Power Socket	Connect to the 5VDC mains power adaptor
2	Power LED Indicator	Displays the power status
3	Status LED Indicator	Indicates when a device is connected to the HDMI input
4	HDMI Input	Connect directly to a source device such as a DVD player (Audio Extractor Mode) or directly to a TV (ARC Mode)
5	HDCP Switch	Switch to select between 1.4 and 2.2 version of HDCP depending on your supported device.
6	Audio / ARC	Select between audio extractor and ARC mode. Audio Extractor Mode allows you to extract the audio inline with your source device such as a DVD player and TV to external speakers. ARC Mode allows you extract audio directly from your TV to an external speaker.



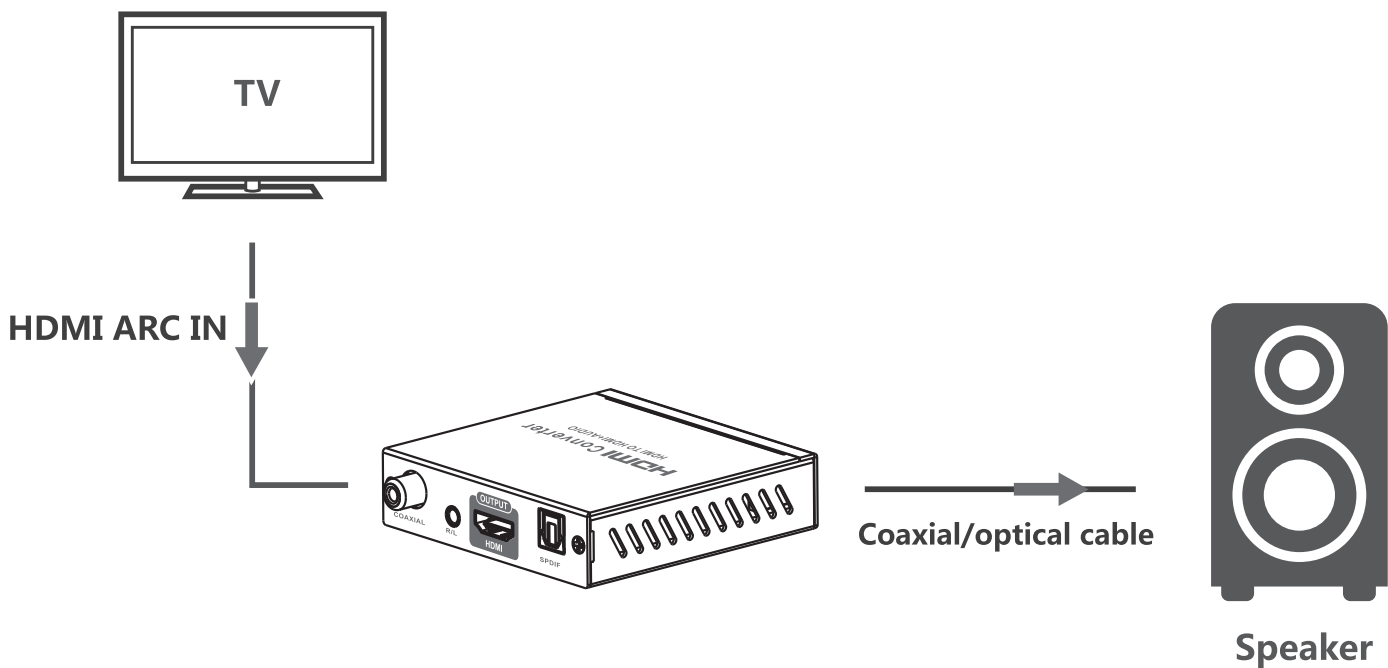
#	Item	Description
1	Coaxial Audio Output	Connect with a pair of external speakers
2	3.5mm Audio Output	Connect with a pair of external speakers or headphones
3	HDMI Output	Connect to a TV or monitor while in Audio Extractor Mode (Not Required in ARC Mode)
4	TOSLINK Optical Output	Connect to an external pair of speakers, soundbar or headphones

Connection Diagram:

Audio Extractor Mode:



ARC Mode:



Operation:

Audio Extractor Mode:

1. Connect the DC plug of the mains power adaptor to the power socket of the extractor. Plug in the mains power adaptor to a 240VAC wall socket and turn it on.
2. Connect a HDMI cable (not included) from your source device such as Pay TV, DVD player or media player to the HDMI input of the extractor.
3. Connect a HDMI cable (not included) from the HDMI output of the extractor to your TV or Monitor's HDMI input. This will allow you to view your TV or monitor while splitting the audio signal.
4. Ensure the switch is selected to audio mode and the HDCP switch is set to 2.2 which is for newer devices using HDMI 2.0 version. For older source and output devices; you may need to select HDCP 1.4.
5. Connect a TOSLINK, 3.5mm or coaxial cable (not included) to either one of the TOSLINK, 3.5mm or coaxial outputs depending on your audio devices connection.

Note: The TOSLINK and coaxial outputs can't be used simultaneously.

6. Your device will now split audio from your TV or monitor to external speakers, headphones or sound bars.

ARC Mode:

1. Connect the DC plug of the mains power adaptor to the power socket of the extractor. Plug in the mains power adaptor to a 240VAC wall socket and turn it on.
2. Connect a HDMI cable (not included) from the HDMI output of the extractor to your TV or Monitor's HDMI input.
3. Connect a TOSLINK Optical, 3.5mm or coaxial cable (not included) to the TOSLINK, 3.5mm or coaxial outputs depending on your audio devices connection.
4. Ensure the switch is selected to ARC mode and the HDCP switch is set to 2.2 which is for newer devices using HDMI 2.0 version. For older source and output devices; you may need to select HDCP 1.4.
5. Your device will now split audio from your TV or monitor to external speakers, headphones or sound bars.

Troubleshooting:

Problem	Solution
No Video Output	Ensure the HDMI input and output is correct. The audio extractor mode should have the source device in the HDMI input and the TV in the HDMI Output. The ARC mode should only have the TV connected to the HDMI output.
	Check to see if your source device and TV's/monitors are all switched on .
	Change the HDCP switch to the opposite side. Old devices using HDMI versions such as 1.4 require the HDCP 1.4 version to be selected. Newer devices using HDMI 2.0 should have HDCP 2.2 selected. If using HDCP 2.2 then your HDMI cables should be HDMI 2.0 or above.
	Check to see if the mains power adaptor is connected properly and switched on.
	Reconnect the HDMI cables on both the HDMI input and output depending on which mode you're in.
No Audio	If you're using the 3.5mm audio output; it can only support 2.1 channel sound so if your device is 5.1 then it may not work.
	Ensure the coaxial and TOSLINK outputs are not being used at the same time. This device can only support one of the coax and TOSLINK outputs at a time.
	Check the audio is up and the power is turned on for your external speakers, headphones or sound bar.
	When in ARC mode, check the HDMI is connected to the HDMI ARC port of the TV.
Image is flickering or unstable	Ensure all the cables are HDMI 2.0 if using HDCP 2.2 on newer devices.
	Reconnect the HDMI cables on both the transmitter and receiver and make sure the HDMI cables are functioning correctly.

Safety:

1. Do not open or repair the device without professional assistance to avoid electrical shock.
2. Do not expose this unit to water, moisture or any liquid.
3. Position the unit in a well ventilated area to prevent the unit from overheating.
4. Only use the supplied 5VDC, 1A power adaptor. If you use any third party power supplies, ensure the voltage is the same to prevent the unit from damage.

Features:

- Up to 4K x 2K Video Resolution
- TOSLINK Optical, 3.5mm & Coaxial Audio Output
- Audio Return Channel (ARC)
- High-Dynamic-Range (HDR) Video
- EDID Data Transmission

Specifications:

Inputs:	1 x HDMI
Outputs:	1 x HDMI, 1 x TOSLINK Optical, 1 x 3.5mm Stereo Audio, 1 x Coaxial
HDMI:	2.0b
HDCP:	2.2, 1.4
HDR:	10
Resolution:	4K (3840 x 2160) @ 60/50/30Hz 1080p (1920 x 1080) @ 50/60Hz 1080i (1920 x 1080) @ 50/60Hz 720p (1280 x 720) @ 50/60Hz 480p (640 x 480) @ 60Hz 480i (640 x 480) @ 60Hz
Video Bandwidth:	18Gbps
Audio:	LPCM 2/5.1/7.1CH, Dolby Digital, DTS 5.1, Dolby Digital+, Dolby TrueHD, DTS-HD Master Audio, Dolby Atmos, DTS:X
Colour Depth:	10-bit
Power Supply:	5VDC, 1A
Power Consumption:	450mA (Max)
Dimensions:	90(W) x 80(D) x 24(H)mm

For Concord AV Solutions visit:

www.concord.support

Distributed by:
Electus Distribution Pty. Ltd.
320 Victoria Rd
Rydalmere NSW 2116 Australia
Ph: 1300 762 627
Fax: 1300 738 500