

Wireless Panel Console

Installation Guide



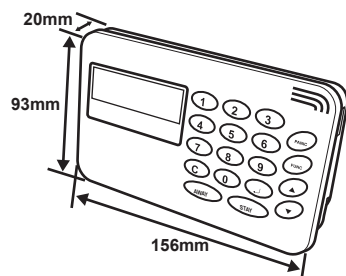
Overview

Name: Wireless Panel Console

Power: 5 VDC adapter

Battery Type: 1.5V (AA Alkaline batteries x 2)

Dimension: 156 x 93 x 20 mm (w/o bracket)
156 x 93 x 24 mm (w/ bracket)

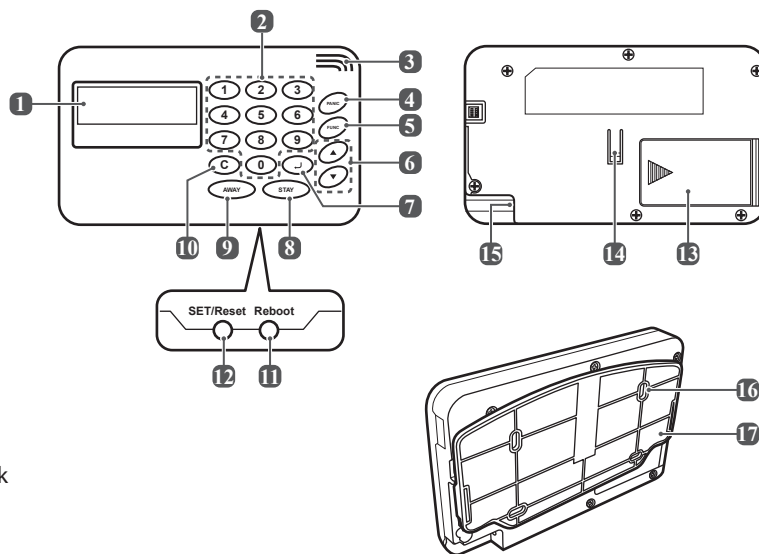


CAUTION

RISK OF EXPLOSION IF BATTERY IS REPLACED BY AN INCORRECT TYPE. DISPOSE OF USED BATTERIES ACCORDING TO THE INSTRUCTIONS.

Names of Parts

1. LCD Display
2. Keypad
3. Temp. & humidity detection hole
4. Panic Key
5. Function Key
6. Up/Down Key
7. Enter Key
8. Stay Key
9. Away Key
10. Cancel Key
11. Reboot Button
12. SET Button
13. Battery Cover
14. Tamper-Proof Jack
15. DC-IN Jack
16. Screw Hole
17. Bracket



Features

- ❖ Wirelessly monitor and control the system status.
- ❖ Power Backup – the batteries are for emergency used about 2 hours after a power outage.
- ❖ Easy Setup – simply press the **SET** button on the device to join the system.
- ❖ Tamper-Proof Functionality – when the device is moved under the system in Arm mode, it will automatically send a signal to the Gateway.

Installation

Device Installation and Binding

1. Turn the device on. To power on the device, do one of the following:
 - i. Plug in the power adapter to the device and the other side to the wall outlet.
 - ii. Install the batteries with the correct polarity (+/-) as shown inside the battery compartment. Then replace the battery cover.
Note: Do not use rechargeable battery.
2. Short press the **SET** button at the back of the Gateway or Router (Power Switching). Then short press the **SET** button on the device. A "**Connect to Gateway...**" message appears on the screen. Wait for the screen shows system date, time and status, indicating the device binding process is successful.
Note: If the device binding process is failed, the "**Connect to Gateway...Fail!**" message appears on the screen.
3. Mount the Panel Console on the wall.
Note: It is recommended to install the device at a location which is easy and convenient to operate and access.

Basic Operations

- ❖ Arm: Press the **AWAY/STAY** key and enter the password to enable *Arm* mode. (AWAY means Full ARM, STAY means Partial ARM)
- ❖ Disarm: Press the **AWAY/STAY** key and enter the password again to disable the arm mode.
- ❖ Panic: Press and hold the **PANIC** key for 3 seconds to trigger the emergency alarm immediately. (Enter the password to turn the alarm off and return to *Disarm* mode).
- ❖ Function: Press the **FUNC** key and enter the password to access the operation mode.
- ❖ Reboot: Press the **Reboot** button at the bottom of device to restart the system.
- ❖ Reset: Press and hold the **SET** button at the bottom of device, and the screen will show "[■■■■■] **Resetting**". After a "**Panel Console Reset OK!**" message appears on the screen, it indicates the reset process is complete.

Notice

- ❖ Once an alarm is triggered, the Panel Console will automatically sync and display the alarm message immediately. Enter the disarm password to turn it off.
- ❖ Hotkey: Press any key to turn on the backlight, and then press the **C** key once and press any one of numeric keys (1~6) once to access or control the specific device as listed below.
 - ⇒ "**C**" + "**1**": Temp. & Humidity Sensor
 - ⇒ "**C**" + "**2**": Power Switch
 - ⇒ "**C**" + "**3**": Lock Switch
 - ⇒ "**C**" + "**4**": Relay Switch
 - ⇒ "**C**" + "**5**": Alarm Switch
 - ⇒ "**C**" + "**6**": CO₂, Temp. & Humidity Sensor
- ❖ Battery Low: when the battery power reached 2.7V or below, a "Low Battery!" message appears on the screen. (The siren will also sound for 3 seconds if available)
- ❖ Tamper Alarm: once the Panel Console is unplugged from the wall-mount bracket while arming, or other device tamper proof, the system will automatically trigger the alarm immediately. Enter the disarm password to turn it off.

Notice (continue)

- ❖ Disconnected: once sensor is disconnected from the Gateway, it will indicate by a strike-through. Check the sensor power status or re-join it with the Gateway.
- ❖ Configuration list:

Main Function	Sub-Menu	Description
Automation	Automation List	Display a list of binding automation-type devices and display the device status.
Sensor	Sensor List	Display a list of binding sensors and display the device status.
Siren	Siren List	Display a list of binding sirens and display the device status.
System	Password	Change the password. By default, the password is "123"
	Language	Select the on-screen display language.
	System Clock	Adjust the date and time.
	Security Zone	Display the available zone list and display the zone status.
	Arm Delay Setup	Set the alarm delay time while triggering the selected sensors. Give you an option to add or remove the selected sensor.
	Event Logs	Display the latest 50 entries of system event logs.
	Information	Display the system version and network settings.

Troubleshooting

Problem	Solution
The Panel Console shows the "Connect to Gateway...Fail!" message and cannot link to the Gateway.	<ol style="list-style-type: none"> Make sure the power is on. If you are using the batteries, make sure the batteries have been properly installed and their power is adequate. Reset to factory default, and re-join to the system. If the problem persists, please contact your local distributor.
Cannot link to the system.	Check the wireless signal and the distance between device and Gateway/Router (line of sight) is 300 meters (max.). If there is any obstructions (i.e. walls or metal objects) between the devices, the distance will be shorter. Users can move the device closer or add a Router, then try again.

Specifications

Wireless Panel Console	
Electrical Specifications	
Display	128 W x 32 H Resolution (Pixel) / English
Keypad	18 keys including numerical
Audio	Buzzer
Transmit Frequency	2.4GHz ISM band, IEEE802.15.4: 2405 ~ 2480MHz
Operation Range	Up to 300 meters (LOS)
Temperature Detection Range	0°C to 45°C (±1°C)
Humidity Detection Range	15%~90%RH (±10%RH)
AC Adapter	Input : AC 100 ~ 240V , 47 ~ 63Hz at 0.19A MAX Output : DC 5V/0.5A up, 5W MAX
Battery Operating Voltage	3.0 VDC
Battery Type	AA Alkaline batteries x 2
Accessory	Wall mount bracket
Environmental Requirement	
Operating Temperature	0°C to 50°C
Storage Temperature	-10°C to 55°C
Humidity	90% RH Max., Non-Condensing
Mechanical Specifications	
Dimension (W x H x D)	156 x 93 x 20 mm (without bracket) 156 x 93 x 24 mm (with bracket)
Weight (without battery)	200g
Weight (with battery)	247g

* Recommended adapter manufacturer/model:

Manufacturer	Model
Adapter Technology Co., Ltd.	STD-05010E
Good Year Technologies Co., Ltd.	GA050010

