

# LA5579 Wireless Siren

## Operation Manual

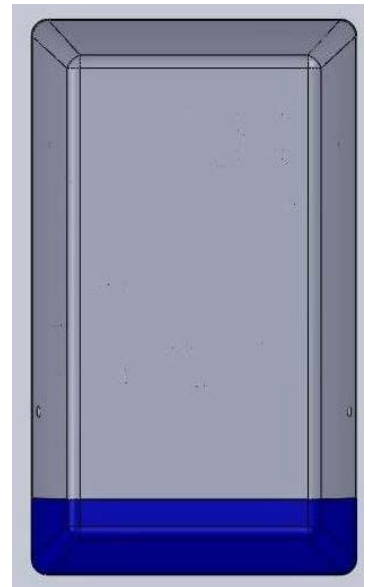
### Introduction

The Wireless Siren is based on advanced wireless technology using in home automation system, between the Wireless Siren and Control Panel communicated by wireless AM433Hz signals. It gives audible and visual indication of an alarm condition; Its wireless communication is stable, fast and it does not need any wire.

## Section 1 –Content

### Wireless Siren

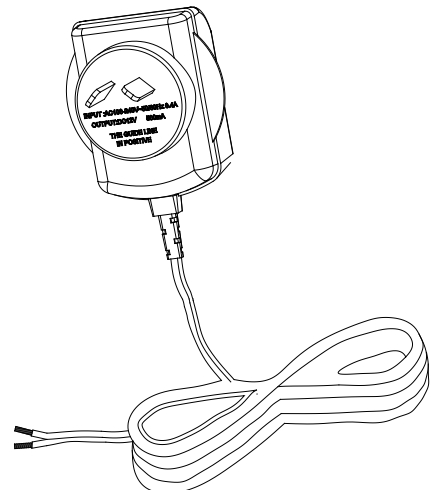
Gives audible and visual indication of an alarm condition



### 12V AC/DC Adapter

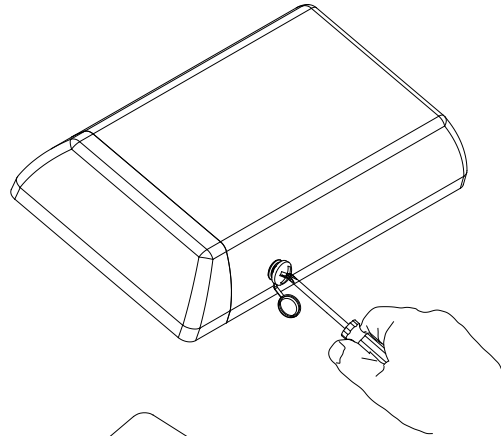
This product is an AC/DC switching mode Adapter with AC input voltage in 100Vac - 240Vac; 12.0V500mA output. Cable length: 1.8m min.

**Note:** The Guide Line is Positive  
Please read specifications in this product

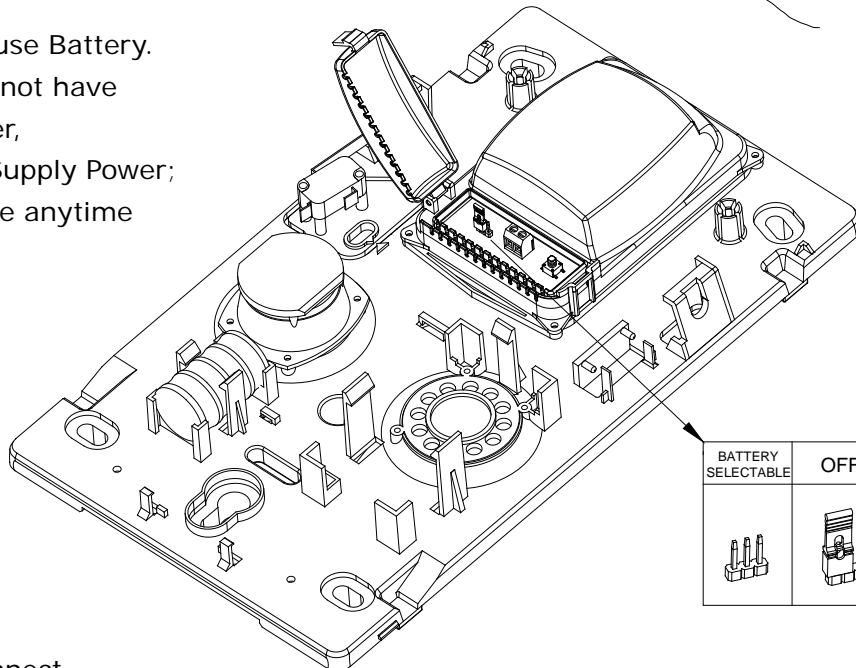


# Section 2 – Installation

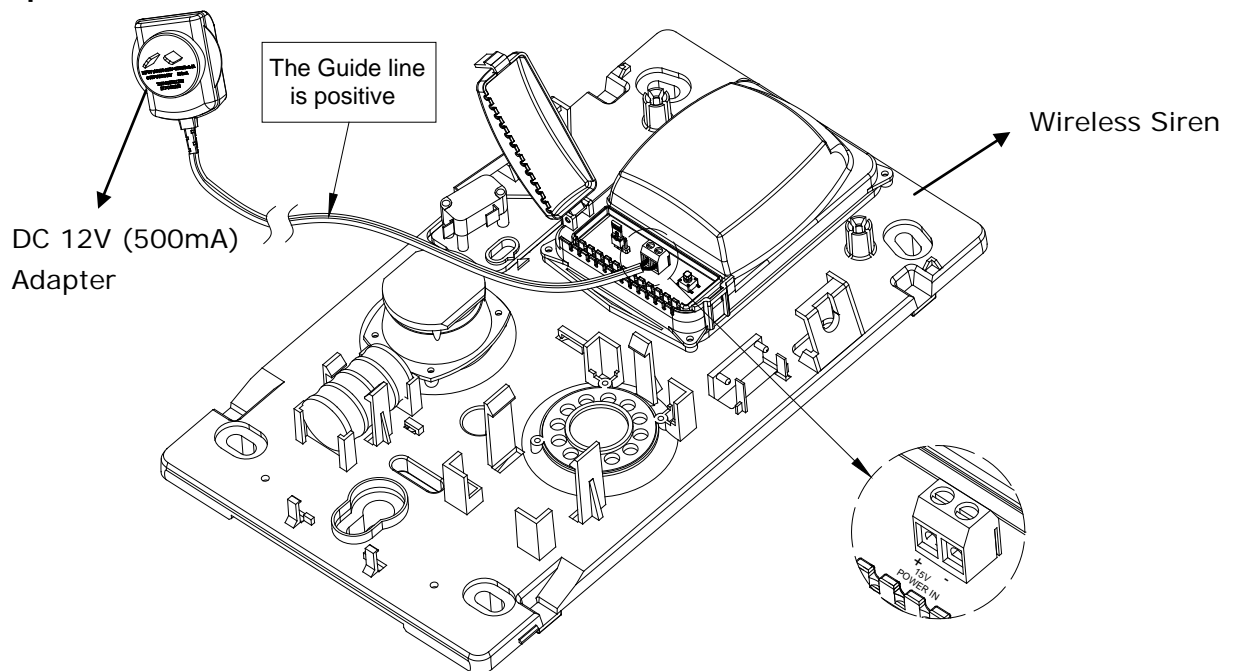
**Step 1:** Unscrew and retain the holding screw from the front cover. Remove the front cover(s) from the base assembly.



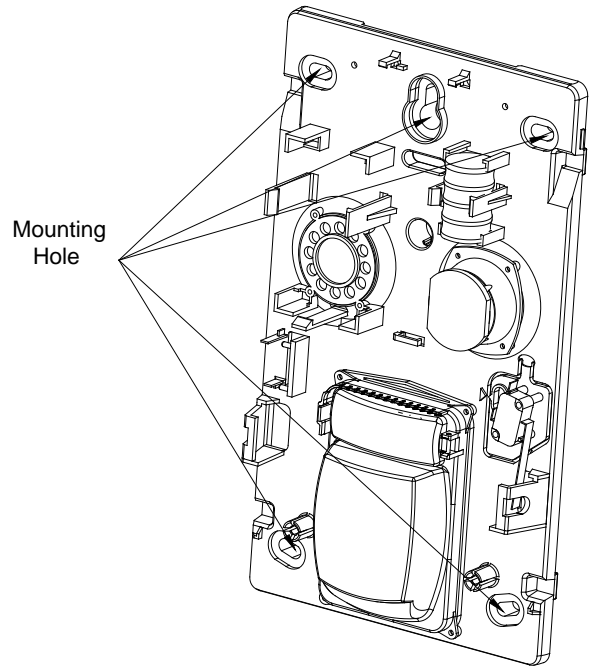
**Step 2:** Selected use Battery.  
Select ON : When not have 12V AC/DC Adapter,  
then use Battery Supply Power;  
Select OFF: not use anytime



**Step 3:** mains connect



**Step 4:** Fit the panel to wall with suitable fixings.  
 Ensure the wall surface is flat to prevent base distortion.



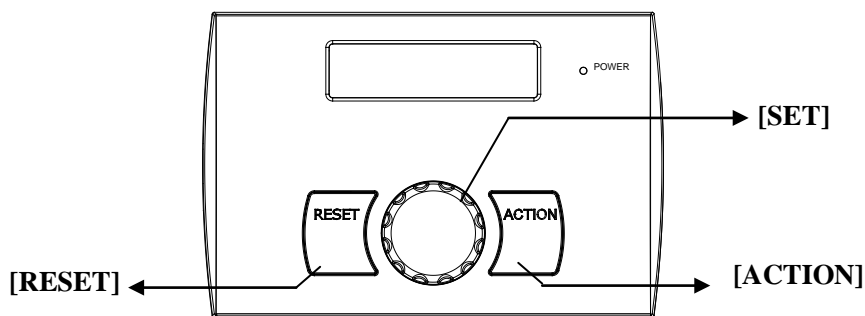
**Step 5:** Close the front cover and screw up.

## Section 3 –Setting Wireless Siren

### 1.0- How to enter to Normal mode

Power up the Wireless Siren, then LED flash two times ,it goes into Normal mode

### 2.0 - How to register Control Panel



Home Automation Control

**Step1: Set home automation controller as follow:**

- It is accessed directly from Day mode via press **[SET]** key
- Press **[SET]** key will go into Program Mode
- When cursor indicate SETUP, press **[SET]** key will go into SETUP program mode

08:00	01- Jan
DAY	

08:00	01- Jan
<b>SETUP</b>	ACT INFO

<b>SETUP MENU</b>
Setup System?

·Rotate **[SET]** key to select Output Device?  
and press **[SET]** key go into Output Device function.

**SETUP MENU**  
**Output Device?**

·Rotate **[SET]** key to select **Output 1?**  
and press **[SET]** key go into setup output device 1 function.

**OUTPUT DEVICE**  
**Output 1?**

·Rotate **[SET]** key to select **Device Type?**  
and press **[SET]** key go into **Output Device Type** function.

**Input Device**  
**Device Type?**

·LCD display current output device type  
Rotate **[SET]** key to select **Wireless Siren** type,

**Device Type**  
**Wireless Siren?**

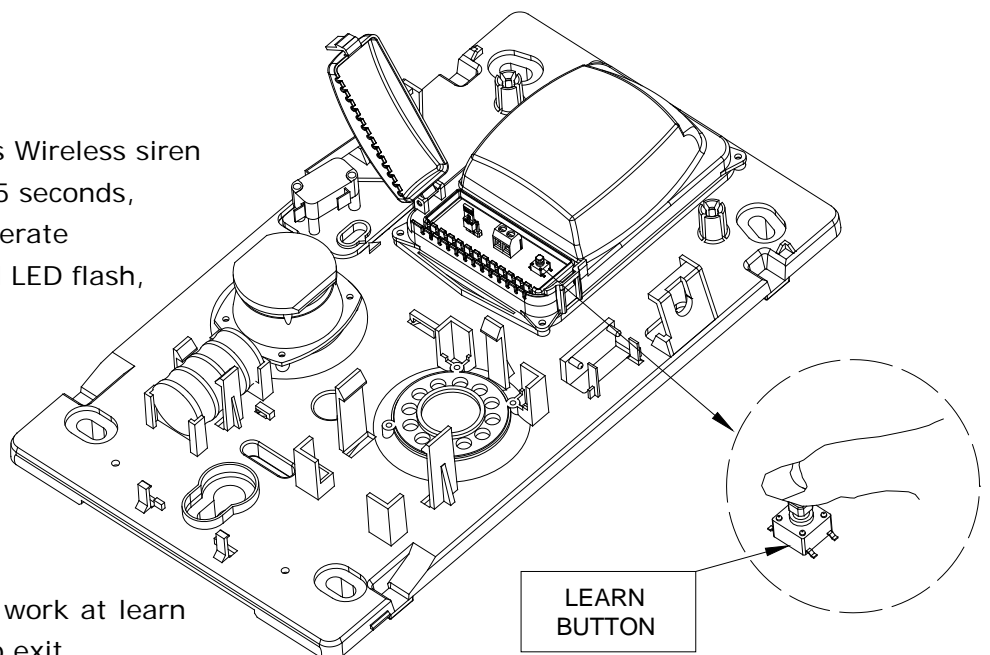
·Press **[SET]** key to save it, it will exit and go to  
"Tx Learn Data". Note: Controller transmits learn data,  
ID save to Output device

**Output Device**  
**Tx Learn Data?**

### Step2: Operate wireless Siren as follow:

·Powering up the Wireless Siren

·in Normal mode, Press Wireless siren  
learn-button and hold 5 seconds,  
The Wireless Siren generate  
an beep-beep tone and LED flash,  
indicate it  
goes into learn mode;



Note : Wireless Siren work at learn  
mode, 15 seconds auto exit

### Step3: Operate Home Automation Controller as follow:

· Press **[SET]** key, Controller will transmit learn data  
to output device  
If wireless siren learn ok, Wireless siren LED light up 1S,  
and generate an beep tone indicate.

**Tx Learn Data**  
**to output device**

·Learn OK, to enable the output device of controller and press **[SET]** key go into **Enable Work** function.

**Output Device  
Enable?**

·Display current Enable stauts

**Enable Work  
OFF?**

·Rotate **[SET]** key to select ON,and press **[SET]** key to accept, it will enable Output Device 1 work

**Enable Work  
ON?**

·Set Enable Work/ OFF, Controller will can't action the output device

**Enable Work  
OFF?**

·System generate an have OK tone, it will exit and go into next Output Device

**OUTPUT DEVICE  
Output 2?**

### 3.0- How to test System

It is accessed directly from Day mode via press [SET] key To operate the "Enter ACTION operation menu" as follow:

**08:00 01- Jan  
DAY**

• Press [SET] key will go into Program Mode

**08:00 01- Jan  
SETUP ACT INFO**

• Rotate [SET] key to select INFO ?

**08:00 01- Jan  
SETUP ACT INFO**

• When cursor indicate INFO, press [SET] key will go into view Information mode

**INFO MENU  
View Log?**

• Rotate [SET] key to select Test System?

**INFO MENU  
Test System?**

• Press [SET] key go into Test System function. and Rotate [SET] key to select Out\_Deviec Test?

**TEST SYSTEM  
Out\_Device Test?**

• press [SET] key go into test output device function. and rotate [SET] key to select will test device

**Out\_Device Test  
001: Output 1?**

- Press [SET] key to accept and the toggle test outputs ON  
note: at time, Wireless siren Alarm on and LED flashes ;  
if it isn't response, to check the device
- press [RESET] key, it will leave the menu  
Note: at time, Wireless siren Alarm and LED flashes stop  
if it isn't response, to check the device

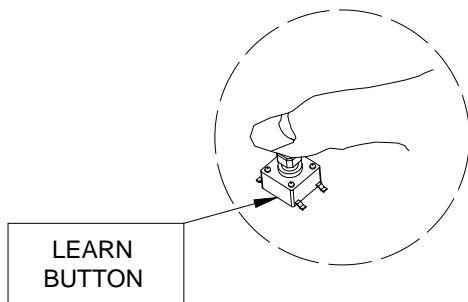
**O01:Output 1  
ON, Press any key**

- Press any key stop output and it will go into next output device

**Out\_Device Test  
O02:Output 2?**

## 4.0- How to reset Control Panel

Reset "control panel " device: Power up the Wireless Siren together with pressing and holding the Wireless siren learn-button for 5 seconds, The Wireless Siren generate an long-beep tone and LED light up , indicate it had cleaned pre-learn device; Then LED flash two times ,it goes into Normal mode

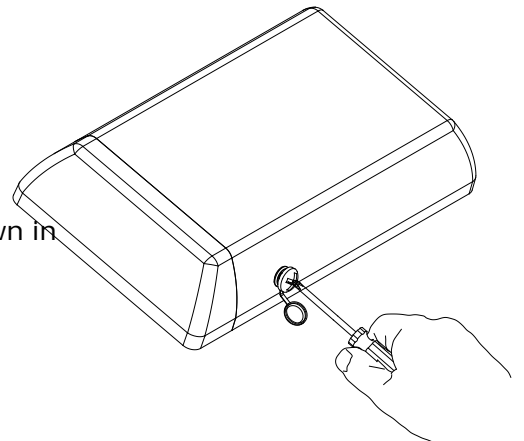


Press and hold 5 seconds

## Section 4 – Triggering

### 1.0- Tamper

If wireless siren front cover is opened during operation, alarm will be triggered at once. It rings off lasting 14 minutes and the LED will keep flashing and then slow down in an hour until reset by alarm control panel.



## 2.0- Alarm

1. When have received "control panel" Alarm Signal, alarm will be triggered at once. It rings off lasting 14 minutes and the LED will keep flashing and then slow down in an hour.

2. When have received "control panel" Disarm Signal, Wireless Siren close Alarm sound and let LED off

## Section 5 –Specifications

Wireless Siren

Transmission Frequency : AM 433MHz

Wireless Transmission Range : 100 meters (line of sight)

Power Supply : DC 12V, Specification

INPUT: 220VAC	50HZ
OUTPUT: 12VDC	500MA