

4 Channel Remote Control Relay Board

LR8857 - User Guide

PCB DIAGRAM:

Terminal

1 / 4 / 7 / 10	Normally Open(N.O)
2 / 5 / 8 / 11	Common
3 / 6 / 9 / 12	Normally Closed(N.C)
13	12V- Input
14	12V+ Input
17 / 18 / 19 / 20 / 21 / 22	Unused

Button

15	Learn Button (for pairing remote controls)
----	--

Other

16	Antenna
----	---------

Function

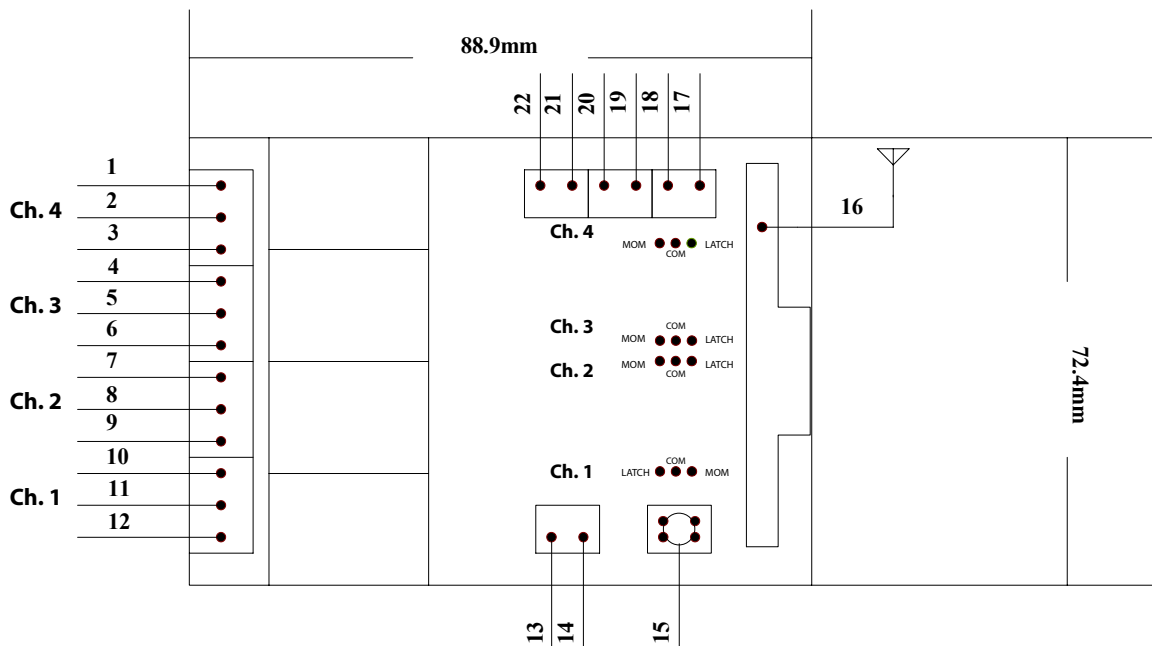
Normally Open(N.O)
Common
Normally Closed(N.C)
12V- Input
12V+ Input
Unused

Function

Learn Button (for pairing remote controls)
--

Part

Antenna



Pairing Remote Controls:

- The Remote Control supplied will require a pair before first time use
- Press the "Learn" button on the PCB, then press number 1 on the remote control 3 times.
- Press any button on the remote control again, the LED near the "Learn" button should light up when pressed, this confirms the pairing process was successful.
- NOTE: You can pair up to 20 Remotes per PCB. Follow steps above to pair any extra remotes. Pairing must be performed 1 remote at a time.
- Remove Paired Remote Controls
- You need to perform a reset should you require to remove a remote that is paired to the Relay Board.
- Hold on to the "Learn" button for 8 - 10 seconds. This will do a master clear against all paired remotes
- NOTE: 1 remote can not be removed at a time, the Relay Board can only perform a reset against all paired remotes. You will need to re-pair any remote you wish to control the board.

Selecting MOMentary or LATCH:

- Using the Jumpers supplied, place it over the Latch and COM pin to select the latching function for that channel, or place over MOM and COM to select the Momentary function for that channel.

General Connection:

- Apply 12VDC as shown on the terminal description
- Connect device you want to switch to the "NC" and "C" terminal for Normally Closed function or "NO" and "C" for Normally Open function.