



MODEL GE4139

DIGITAL CASSETTE/USB/SD ENCODING WITH PLL AM/FM ALARM CLOCK STEREO RADIO

- USER MANUAL -



CAUTION RISK OF ELECTRIC SHOCK DO NOT OPEN



CAUTION: TO REDUCE THE RISK OF ELECTRIC SHOCK, DO NOT REMOVE COVER (OR BACK). NO USER SERVICEABLE PARTS INSIDE. REFER SERVICING TO QUALIFIED SERVICE PERSONNEL.



The lightning flash with arrowhead symbol, within an equilateral triangle, is intended to alert the user to the presence of un-insulated " dangerous voltage " within the product's enclosure that may be of sufficient magnitude to constitute a risk of electric shock to persons.



The exclamation point within an equilateral triangle is intended to alert the user to the presence of important operating and maintenance (servicing) instructions in the literature accompanying the appliance.

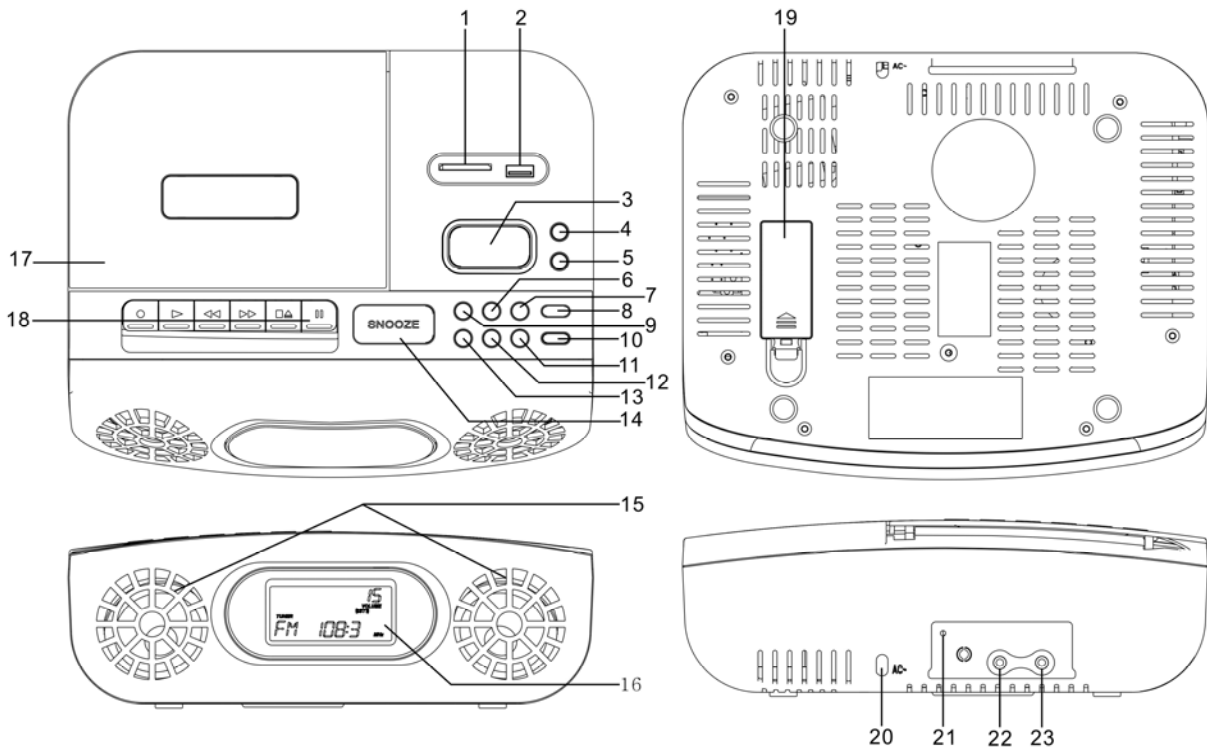
WARNING:

TO REDUCE THE RISK OF FIRE OR ELECTIC SHOCK, DO NOT EXPOSE THIS APPLIANCE TO RAIN OR MOISTURE.

CAUTION:

- DO NOT REMOVE EXTERNAL CASES OR CABINETS TO EXPOSE THE ELECTRONICS. NO USER SERVICEABLE PARTS ARE WITHIN!
- IF YOU ARE EXPERIENCING PROBLEMS WITH THIS PRODUCT, CONTACT A SERVICE REFERRAL. DO NOT USE THE PRODUCT UNTIL IT HAS BEEN REPAIRED.
- USE OF CONTROLS OR ADJUSTMENTS OR PERFORMANCE OF PROCEDURES OTHER THAN THOSE SPECIFIED HEREIN MAY RESULT IN HAZARDOUS RADIATION EXPOSURE.
- DO NOT INSTALL THIS EQUIPMENT IN A CONFINED SPACE, SUCH AS A BOOK CASE OR BUILT IN CABINET.
- THE APPARATUS MUST NOT BE EXPOSED TO DRIPPING OR SPLASHING.

LOCATION OF CONTROLS



- | | |
|--|--------------------|
| 1. SD card slot | 11. TIMER button |
| 2. USB port | 12. ALARM button |
| 3. Control Pad
(▶▶▶【PLAY/PAUSE】 button, ▶▶▶【SKIP+】 button,
◀◀◀【SKIP-】 button, ■【STOP】 / BAND button) | 13. SLEEP button |
| 4. STANDBY button | 14. SNOOZE button |
| 5. RECORD button | 15. Speakers |
| 6. MODE button
(Program, Repeat, Repeat All, Repeat Folder, Random) | 16. LCD display |
| 7. FOLDER UP / MEMORY button | 17. Cassette door |
| 8. VOLUME + | 18. Cassette knobs |
| 9. FUNCTION selector | 19. Battery door |
| 10. VOLUME - | 20. AC power cord |
| | 21. FM antenna |
| | 22. Headphone jack |
| | 23. Aux in jack |

POWER SOURCE

This Unit is designed to operate on normal AC 240V ~ 50Hz household power source. Do not attempt to operate the system using other power sources. This may result in damage to the unit and void your warranty.

Mains plug should be regularly checked. If it is found damaged, do not turn on the unit and immediately seek advice from a qualified service technician. Any malfunction due to electrostatic discharge (ESD), reset the unit by unplugging AC Cord from the outlet; wait for few minutes before reconnect.

SET UP

Setting the Time

When power cord is plugged in "-- -- : -- --" flashes on the display.

- Press MODE button for 3 seconds, follow by [▶▶ SKIP] / [◀◀ SKIP] to adjust hour format (12 or 24 hours)
- Press MODE button again , follow by [▶▶ SKIP] / [◀◀ SKIP] button to adjust the hour
- Repeat above steps to adjust the minute.
- Press MODE button to confirm.

Setting the Wake TIMER

This unit includes a timer to wake you up to Radio or MP3 music on USB / Card.

The Wake timer can be set at standby mode only. Ensure the clock has been set to the correct time.

- Press TIMER button for 3 seconds, "ON" show on the display with flashing hour digits
- Press [▶▶ SKIP] / [◀◀ SKIP] to input desired hour & minutes, press TIMER button again to confirm
- Repeat above steps to set Timer Off-time, Function (Tuner, USB, Card) & Volume.
- Upon completion, all settings will cyclic once and then switch to current time with clock icon.
- By pressing ALARM button, system switches to traditional alarm sound.

Note: 1. ERROR reported if Off-time found equal to On-Time.

2. By pressing the Timer button, the alarm is switched off.

3. For adjustment, press TIMER button for 3 seconds & input new selection.

Snooze

When system activates at wake timer, it can be temporarily switched off by pressing Snooze button. After 10 minutes, the system reminds you to wake up.

Setting the SLEEP timer

This unit includes Sleep timer that automatically switch off after 10 to 90 minutes (to standby mode).

- Press SLEEP button which will start with 90 minutes.
- Every additional pressing reduces timer by 10 minutes.
- After a few seconds, Sleep time display will switch back to current time with sleep icon

Note: If current music source is less than Sleep time, ensure repeat function is activated.

Battery Backup

When there is power failure, all settings will be lost. To safeguard, this system has a battery backup (2xAAA batteries excluded). Suggest to check function regularly by unplugging the power cord.

KEY BASIC OPERATION

FUNCTION selector (TUNER, TAPE, USB, CARD, AUX)

To select desired sound source.

RADIO OPERATION

- Press function selector to "TUNER"
- Press [■ STOP] / BAND button for 2 seconds and select desired tuning range
- Press [▶▶ SKIP] / [◀◀ SKIP] key to choose desired tuning station.
- Adjust Volume to obtain desired listening level.
- When selected FM station is received in stereo quality, stereo indication (ST) lights up on the display.
- 40 preset stations (30 FM + 10 AM) available: To store a station, press MODE button, MEMORY lights up & memory no. flashes, press MODE button again to confirm.
- Listen to stored station, press FOLDER UP button

Note: To achieve best reception, always extend fully FM antenna wire (on rear panel).

USB / CARD BASIC OPERATION

- Insert USB / Card, TOC Information is displayed & system will start playing.
- To achieve best response, press Control Pad (▶|| [PLAY/PAUSE] , ◀◀ [SKIP-] , ▶▶ [SKIP+] , ■ [STOP] / BAND button) at marked symbols.

PLAY/PAUSE button

- Press this button at stop mode, system will go to play mode.
- Press this button at play mode, system will go to pause mode.
- Press this button at pause mode, system will resume to play mode.

STOP button

- In Play mode or Pause mode: Changing to Stop mode
- In Program Entry mode: Exit the Program Entry mode.
- In Random Play mode: Changing to Stop mode and release Random function.

MODE button

In Play mode:

Cyclic selective repeat modes : None -> Repeat -> Repeat all -> Repeat folder -> Random -> None.

Repeat play:

- During Repeat mode, the system repeats current track on USB / Card
- During Repeat-folder mode, the system repeats all tracks in current folder.
- During Repeat-all mode, the system repeats all tracks on USB/Card; if it reaches end of final track, it will return to the first track.

Random play:

- By pressing [▶▶ SKIP] key, the system skips to next random track. If [▶▶ SKIP] key is pressed on the tune of final track, the system searches next lap at random.
- By pressing [◀◀ SKIP] key, the system searches the beginning of the current track, but doesn't skip track down.
- If whole track was finished during the random play mode or if [STOP] key is pressed during the random play mode, the system goes to the stop mode and cancels the random play mode.

In Stop mode:

USB / card program play can be set at stop mode only.

Program play:

- By pressing [MODE] key, system goes to Program mode: displays MEMORY and flashing track number.
- Press [▶▶ SKIP] key to choose desired track number to program.
- By pressing [MODE] key after choosing a track number, the system keeps the track number, and goes to next program mode.
- The system can hold 99 programs (MP3). After the system registered with maximum programs, no further entry allowed.
- If [STOP] key is pressed during program entry mode, the system removes earlier (memory) contents and returns to stop mode.
- If [PLAY/PAUSE] key is pressed when the system holds program content, it starts program play and the display shows MEMORY.
- If [▶▶ SKIP] / [◀◀ SKIP] key is pressed during the program play, the system skips to next/ last program.
- If [STOP] key is pressed during the program play, the system stops the program play and keeps the program contents. Until [STOP] key is pressed again, the system removes program content and goes to stop mode.

▶▶ SKIP button

- Change the starting play track during stop mode, cyclic to the first track if it is in the last track.
- Skip to the next track during Normal play, cyclic to the first track if it is in the last track.
- When key is pushed more than 2 seconds, Fast-Forward is executed.
- Skip to the next programmed track during Program play, cyclic to the first programmed track.

⏮ SKIP button

- Change the starting play track during stop mode, cyclic to the last track if it is in the first track.
- Skip to the previous track during Normal play, cyclic to the last track if it is in the first track.
- When key is pushed more than 2 seconds, Fast-Reverse is executed.
- Skip to the previous programmed track during Program play, cyclic to the last programmed track.

RECORD button

Your favorite music from TAPE/ AUX can be encoded into MP3 format and store into USB / card.

- Switch to TAPE or AUX mode and get ready at desired record track.
- Press Record button and [▶▶ SKIP] button to select destination at USB or Card.
- Press Record button again to start recording.
- To stop recording, press STOP button.

Note: This unit defaulted encoding to USB port. Take away USB drive or MP3 player if you want to record to SD/MMC card

Music files stored in your USB flash drive or SD/MMC card can be copied to each other:

- Switch to desired source & track
- Repeat above steps for recording.
- 3 recording modes available for USB/ SD/ MMC card: record One, record Folder or record All.

HEADPHONES JACK

Be sure that your headphones have a 3.5mm stereo plug with an impedance of 8-32 Ohms. When headphones are connected, the speakers will automatically mute.

AUXILIARY INPUT JACK

- This system includes an AUX IN jack and allows sound emission of external audio equipments.
- Connect audio output or headphones jack of external audio equipments to AUX IN jack on rear panel of this system.

CASSETTE DECK BASIC OPERATION

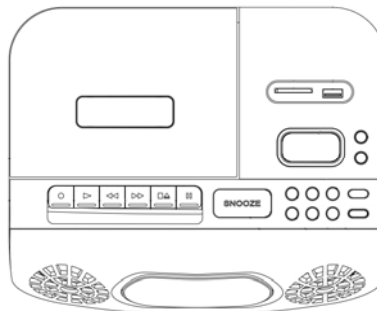
Before operation, make sure Function Selector is in the Tape mode.

Playback

- Set Function Selector to Tape mode.
- Press Eject button to open the cassette door.
- Place the cassette tape into Deck, with the side to be played facing the window.
- Close cassette door and Press Play button to start playback.
- Playback stops when the tape reaches the end.
- Press Stop button if you want to stop playback before the end of the tape.

Play Deck Controls

- RECORD : to start recording to cassette tape.
- PLAY : to start cassette playback.
- REWIND : to fast rewind the cassette.
- F.FWD : to fast forward the cassette.
- STOP/EJ : to stop and eject the cassette.
- PAUSE : to interrupt recording or playback



SPECIFICATION

Power Supply : AC 240V ~ 50Hz
Power Consumption : 25W

Radio Section : AM 525 – 1620 KHz
FM 87.5 – 108 MHz